

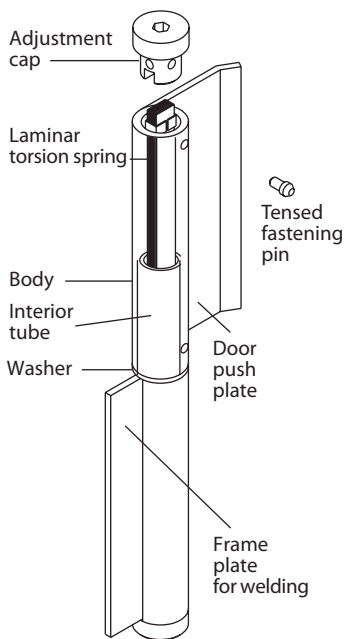
# PP Push Flap Welding Spring Hinge For Welding onto Steel Jambs and Frames

Bellevue' is proud to introduce the new Justor PP push flap hinge which is specifically designed for welding to gates and metal door jambs where existing hinges may already be in use. By adding the PP hinge, you will be able to automatically close light to heavy steel framed doors and metal gates that weigh up to 80 Kg. The Justor PP push flap welding spring hinges are sleek, stylish and simple. Made in Spain by Justor to exacting European standards; the PP push flap is fully adjustable without the need to take the door or gate down.

Made of Steel, the PP push flap is maintenance free. The PP push flap can be used on internal or external steel or metal-framed door jambs, and doors whenever a door needs to close without assistance. Made in Spain By Justor; the PP push flap represents quality and innovation not normally seen in a product of this type. Optionally, the PP hinge can be powder coated. Once done, it blends into any environment and surroundings.

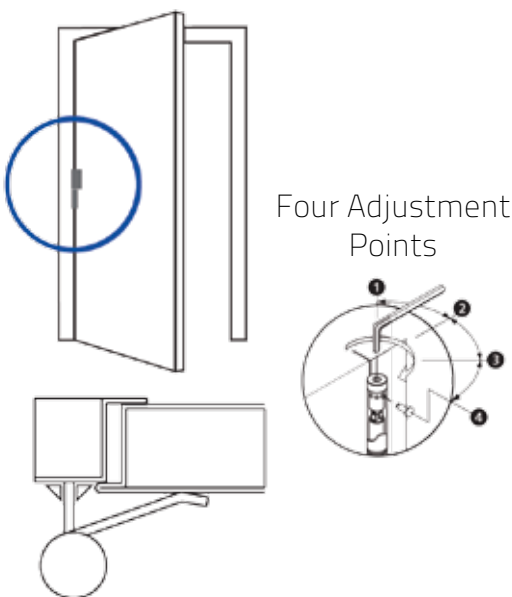
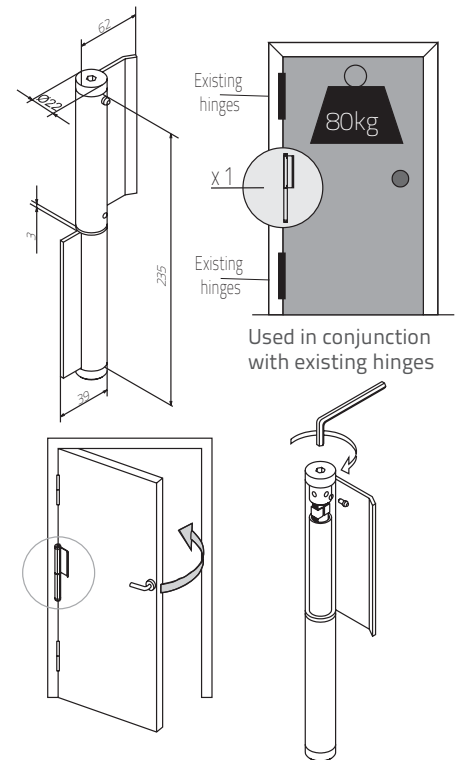
Cost effective and highly functional, it is a real and effective alternative to traditional and unsightly door closers and closing solutions. It's guaranteed for 2 years; the Justor PG and PP range is hard to overlook.

## Anatomy of a Spring Hinge:



## PP Push Flap Technical Data For Welding

### Dimensional & Weight Info:



### PP Quick Facts:

- Spring Resistance + 500,000 cycles
- Used with existing hinges
- Ideal to retro-fit existing doors & gates
- Up to 80Kg in Door Weight
- Torsion Spring not a Coil Spring
- Variable Closing Strength
- Highly Efficient 180° Working Aperture
- Solid and Stylish Design
- For Metal doors, gates and frames
- No Periodical Greasing Required
- Ideal for internal or external use
- Slim Profile
- 2 Year Guarantee
- Made in Spain

### Order Codes:

- BIPP - Gun Metal - Push Flap - 80Kg

Finish: Gun Metal is a raw finish which can be powder coated or painted to specific colours.